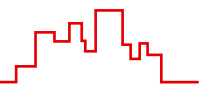




This compact enclosure system for top hat rail or wall assembly is ideal for fitting individual PCBs or cassettes in installation widths up to 12 TE.

In addition, the NG version with the wraparound moulded covering frame can be installed in control panels. With its lockable clear lid, this enclosure provides ingress protection IP 65.



Enclosure material: ABS, clear polycarbonate front door.
For technical data see pages 646-651.

Colour: Base light grey, similar to RAL 7035; rear part graphite grey, similar to RAL 7024; front door clear.
Special colours and minimum order quantities on request.

Ingress protection: Version: CC 500 TK/NGTK
IP 65/DIN EN 60529

Accessories (additional charge):

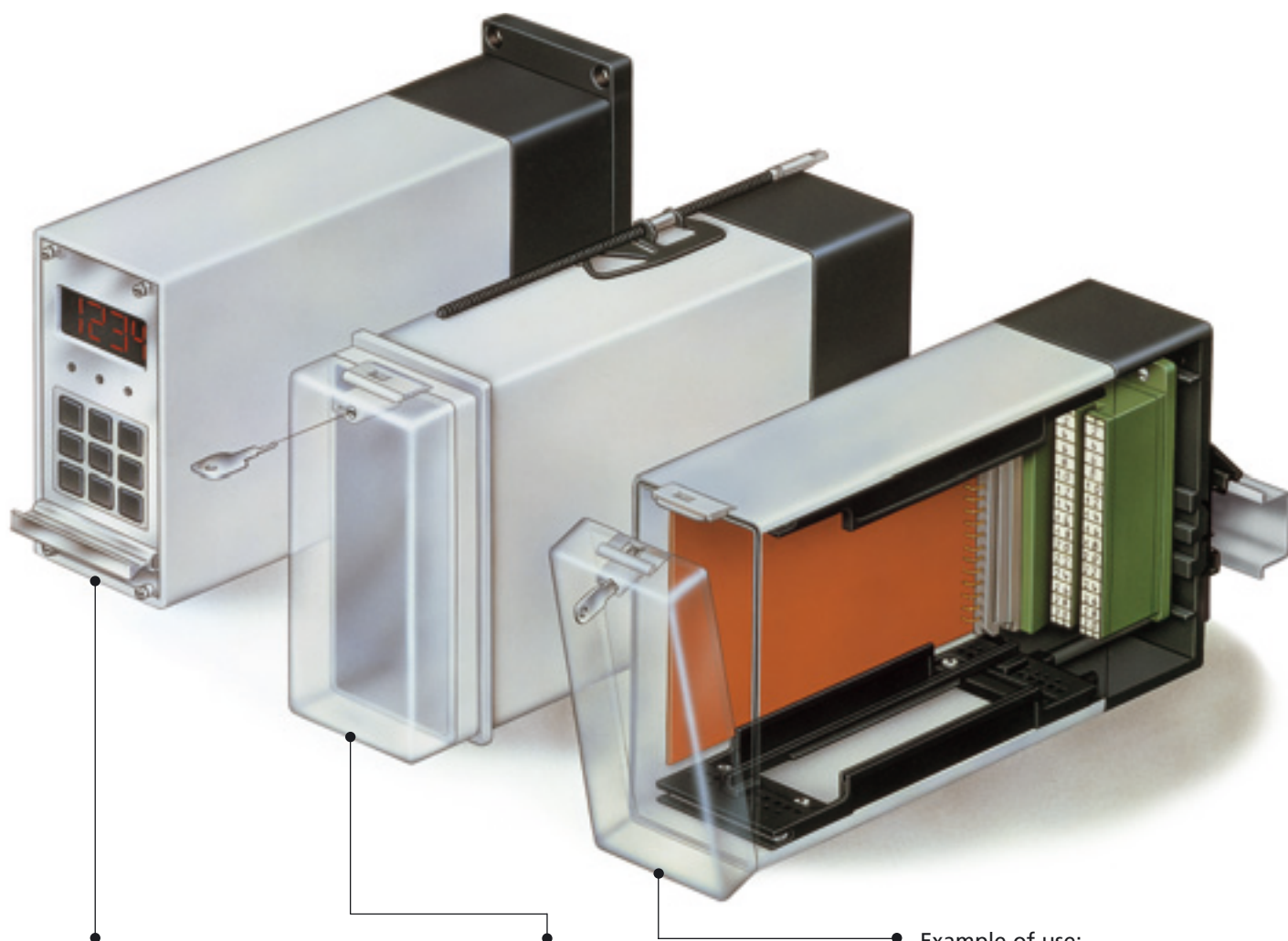
- CC 500 WR: Wall frame
- CC 500 MS: Fixing kit for DIN EN 60603-2 plug-in connector (previously DIN 41612)
- CC 500 TS: Rail snap foot for top hat rail DIN EN 60715 TH35
- SHLO-302: Cylinder lock catch
- KF 1230: Card guides (PU = 10 pcs)
- KS 1230: Card securing devices (PU = 10 pcs)

Notes:

Wired PCBs or, if the CC 500 MS is used, plug-in connectors according to DIN EN 60603-2 can be fitted to the rear of the prefitted card guide grids in the base.

Enclosure screwing is carried out from the front through the base part. On request, the enclosure parts can be pre-mounted in such a way that the rear lid can be screwed on from behind.

For part front panels, slot-in panels and cassettes, please send for our separate "part of the red" catalogue.



Example of use:
CC 500 with customer-specific slot-in front panel and wall frame.

Example of use:
Control panel mounting version
CC 500 NGTK with cylinder lock catch.

Example of use:
CC 500 TK cylinder lock catch and mounted rail snap foot (PCB and terminal block shown as example).



CombiSet



Pre-mounted card guide grids and tapped strips to hold a 12 TE wide cassette. Additional card guides can be snapped in.

Desktop / wall / rail enclosure

Order designation		Dimensions in mm		
Model	Order no.	W	H	D
CC 500	19050000	68	136	224.5

Scope of delivery:
Base and rear,
upper and lower guide grids,
tapped strips,
screws

Accessories (additional charge)

Model	Order no.	Description
CC 500 TS	39005000	Rail snap foot for top hat rail DIN EN 60715 TH35
CC 500 WR	39001000	Wall frame
CC 500 MS	39004000	Fixing kit for DIN EN 60603-2- plug-in connector
KF 1230	39302000	Card guides
KS 1230	39301000	Card securing devices
SHLO-302	21008310	Cylinder lock catch

For descriptions, see pages 254-255

Desktop / wall / rail enclosure with door / ingress protection IP 65

Order designation		Dimensions in mm		
Model	Order no.	W	H	D
CC 500 TK	19050101	68	136	252.5

Scope of delivery:
Base and rear,
upper and lower guide grids,
clear front door, hinged
with knob,
tapped strips,
screws

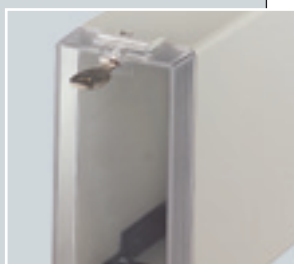
Accessories (additional charge)

Model	Order no.	Description
CC 500 TS	39005000	Rail snap foot for top hat rail DIN EN 60715 TH35
CC 500 WR	39001000	Wall frame
CC 500 MS	39004000	Fixing kit for DIN EN 60603-2- plug-in connector
KF 1230	39302000	Card guides
KS 1230	39301000	Card securing devices
SHLO-302	21008310	Cylinder lock catch

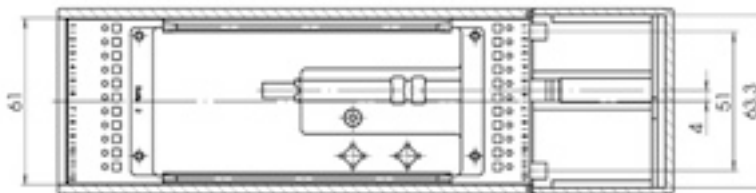
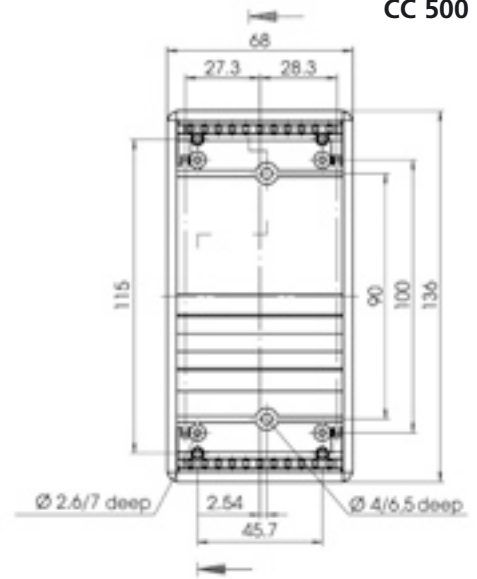
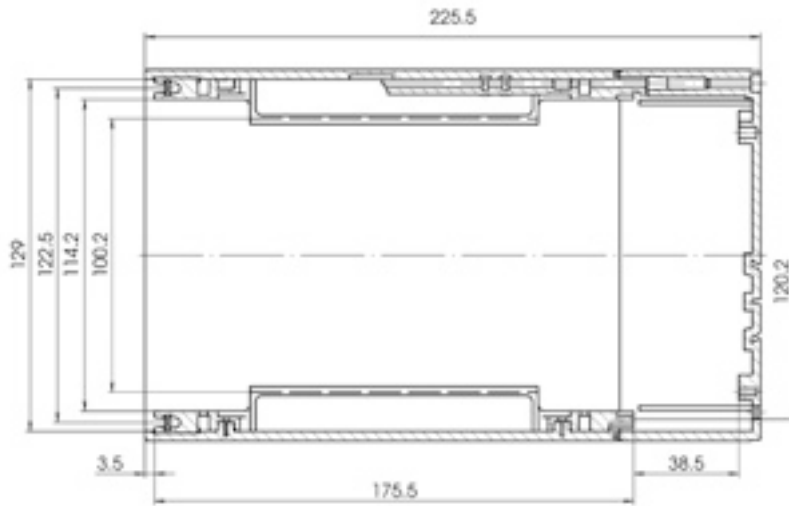
For descriptions, see pages 254-255



To prevent unauthorized operation, the cylinder lock catch (illustrated) can be fitted instead of the knob.

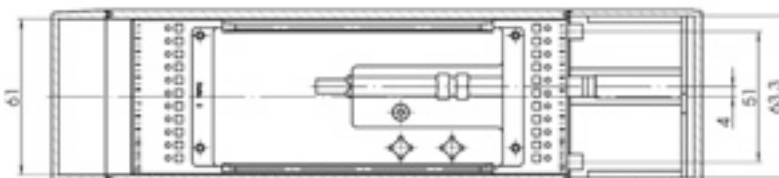
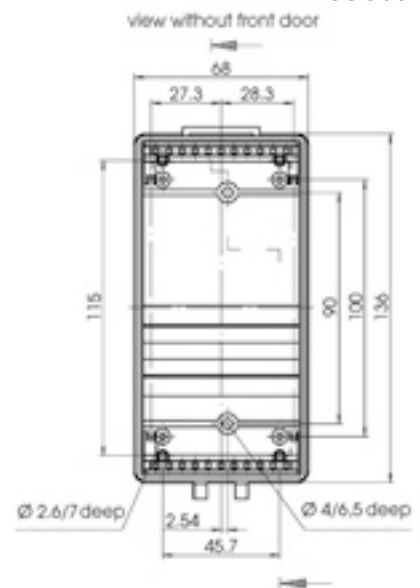
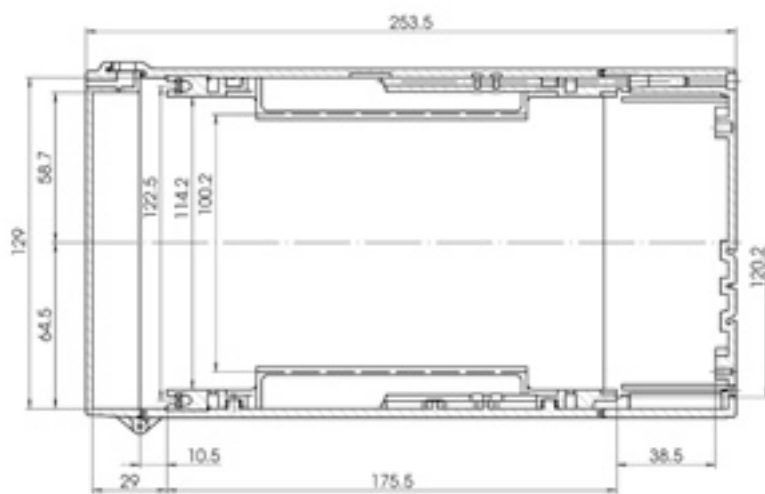


CC 500



Z-2102598

CC 500 TK



Z-2102599

CombiSet



For control panel mounting DIN IEC 61554. Pre-mounted card guide grids and tapped strips to hold a 12 TE wide cassette. Additional card guides can be snapped in.



A lead wire for sealing purposes can be introduced through the opening parallel to the knob.



Control panel mounting enclosure

Order designation		Dimensions in mm		
Model	Order no.	W	H	D
CC 500 NG	19050200	72	144	224.5

Scope of delivery:
Base with moulded-on installation frame, rear, upper and lower guide grids, retaining clasps, tapped strips, screws

Accessories (additional charge)

Model	Order no.	Description
CC 500 TS	39005000	Rail snap foot for top hat rail DIN EN 60715 TH35
CC 500 WR	39001000	Wall frame
CC 500 MS	39004000	Fixing kit for DIN EN 60603-2-plug-in connector
KF 1230	39302000	Card guides
KS 1230	39301000	Card securing devices
SHLO-302	21008310	Cylinder lock catch

For descriptions, see pages 254-255

Control panel mounting enclosure with door

Order designation		Dimensions in mm		
Model	Order no.	W	H	D
CC 500 NGTK	19050301	72	144	252.5

Scope of delivery:
Base with moulded-on installation frame, rear, upper and lower guide grids, front door, clear, hinged with knob, retaining clasps, tapped strips, screws

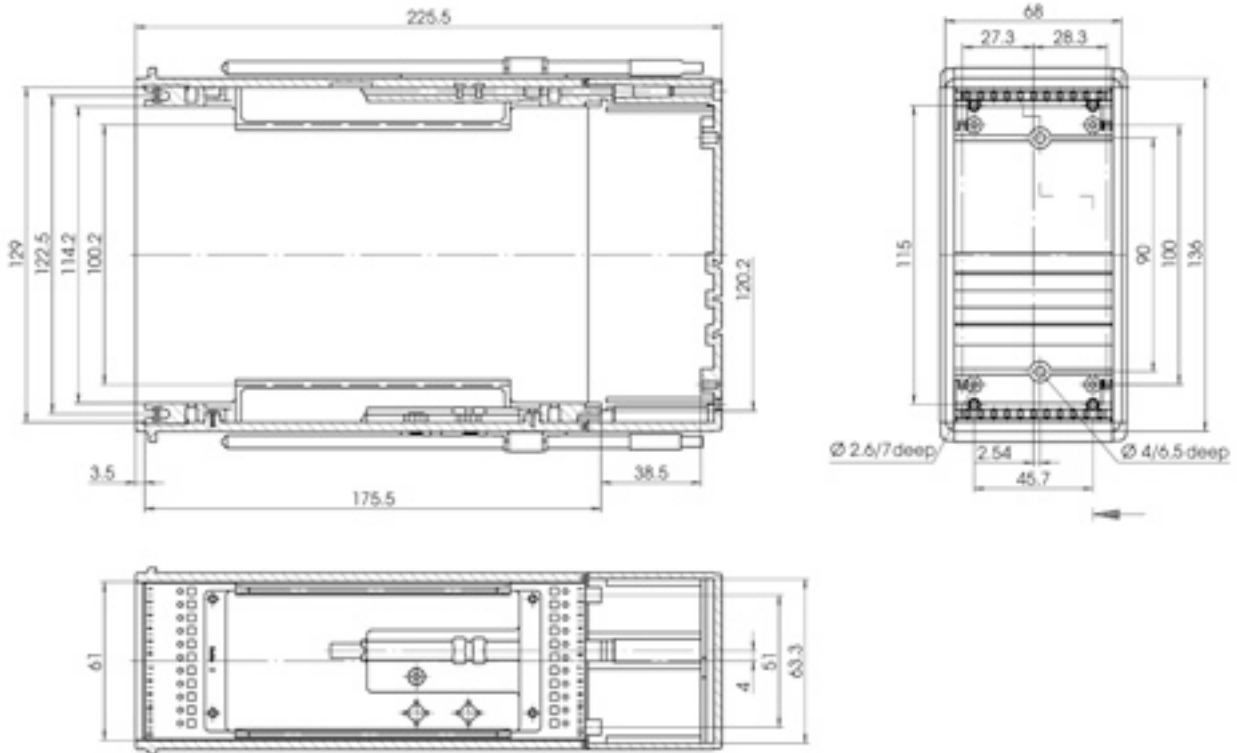
Note:
Ingress protection IP 65 applies to enclosure, not to control panel wall.

Accessories (additional charge)

Model	Order no.	Description
CC 500 TS	39005000	Rail snap foot for top hat rail DIN EN 60715 TH35
CC 500 WR	39001000	Wall frame
CC 500 MS	39004000	Fixing kit for DIN EN 60603-2-plug-in connector
KF 1230	39302000	Card guides
KS 1230	39301000	Card securing devices
SHLO-302	21008310	Cylinder lock catch

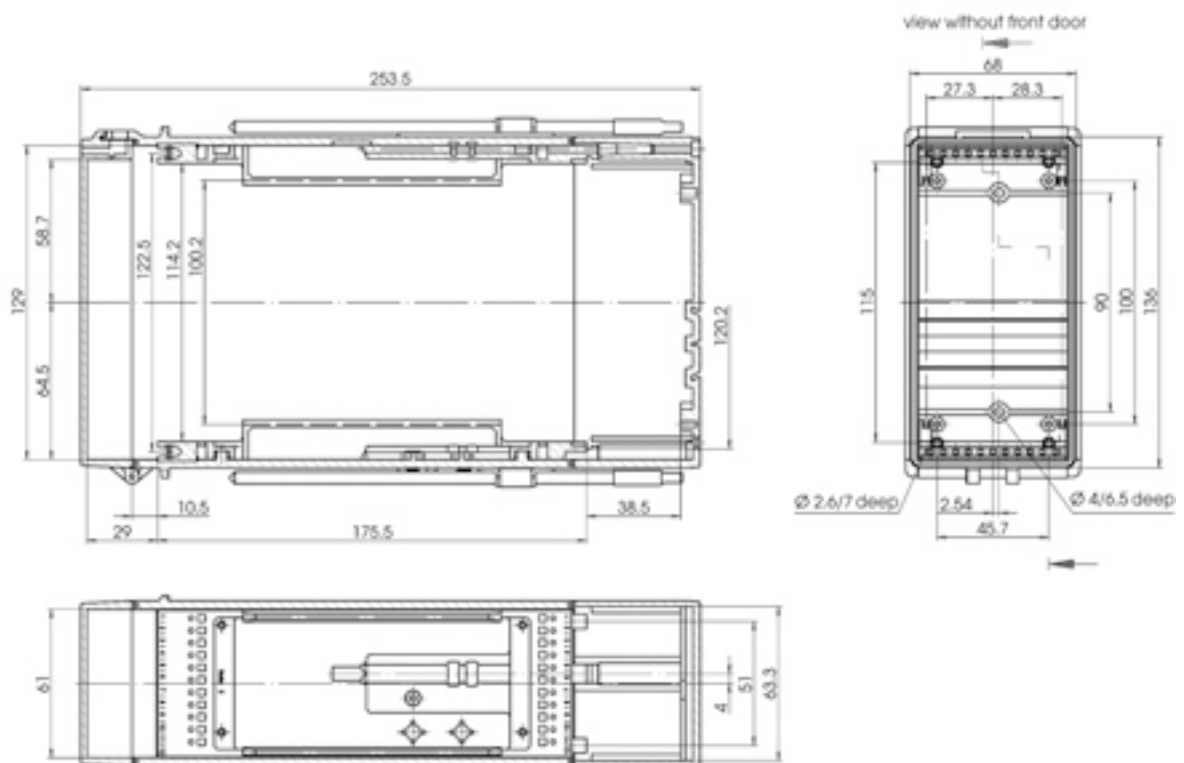
For descriptions, see pages 254-255

CC 500 NG
Cut-out to DIN IEC 61554 / DIN 68^{+0.7} x 138^{+1.0} mm

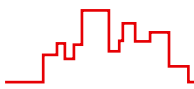


Z-2102600

CC 500 NGTK
Cut-out to DIN IEC 61554 / DIN 68^{+0.7} x 138^{+1.0} mm

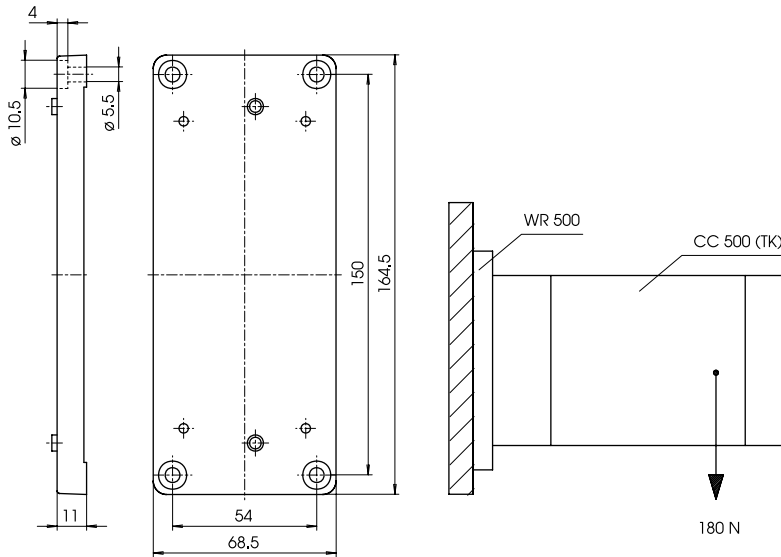


Z-2102601



CombiSet accessories

Wall frame

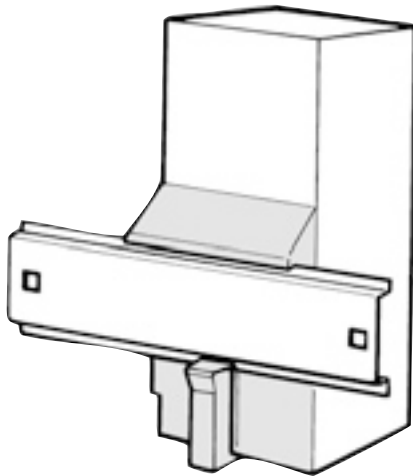


Order designation

Model	Order no.
CC 500 WR	39001000

Z-2100976

Rail snap foot for top hat rail DIN EN 60715 TH35

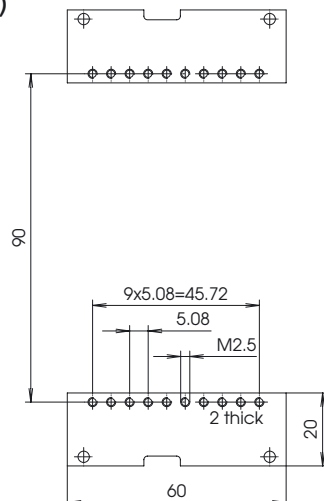


Order designation

Model	Order no.
CC 500 TS	39005000

The rail snap foot is inserted into the grooves in the rear lid.

Fixing kit for DIN EN 60603-2 plug-in connector (previously DIN 41612)



Order designation

Model	Order no.
CC 500 MS	39004000

This assembly can be used to fasten DIN EN 60603-2 plug-in connectors to the guide grids.

Z-2102602

Cylinder lock catch

Order designation

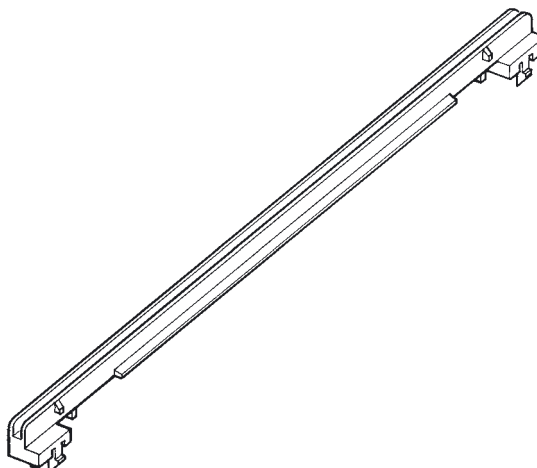
Model	Order no.
SHLO-302	21008310

**Order designation**

Model	Order no.
KF 1230	39302000

PU = 10 pcs

Card guide

**Order designation**

Model	Order no.
KS 1230	39301000

PU = 10 pcs

Card securing device

